

TDY



photo: chrome, stright cable



Functions and features:

Functionality

The TDY offers 3 temperature settings ranging from 30°C to 60°C. It is equipped with an electronic temperature sensor that guarantees precise temperature control. The heating element has a very low power consumption in a standby mode.

Safety

The TDY is equipped with 'frost' protection (ANTIFREEZE). It also has a double protection against overheating of the radiator and displays a warning in case of malfunction. It has an active safety feature in case of operation in a dry radiator.

Colour

Available colours: white, silver, chrome and black. The heating element can also be offered in any RAL colour and Terma special colours (including brass and gold) subject to a minimum order of 100 pcs per colour.

Automatic power-off function

Automatic Timer sets the operating time between 60 -180 minutes (default setting is 120 minutes). The clear display shows time left until automatic switch off. NOTE: No continuous operation possible. While the heating element is on, the heating temperature can be adjusted according to one's preference.

Design

The TDY is supplied with a straight cable without a plug, it is also available with a cable-masking cover as an optional extra.

Technical specifications:

Power: 230 V / 50 Hz
 Protection devices: Class I
 Radiator connection: G 1/2"
 Ingress protection [IP] IPx5

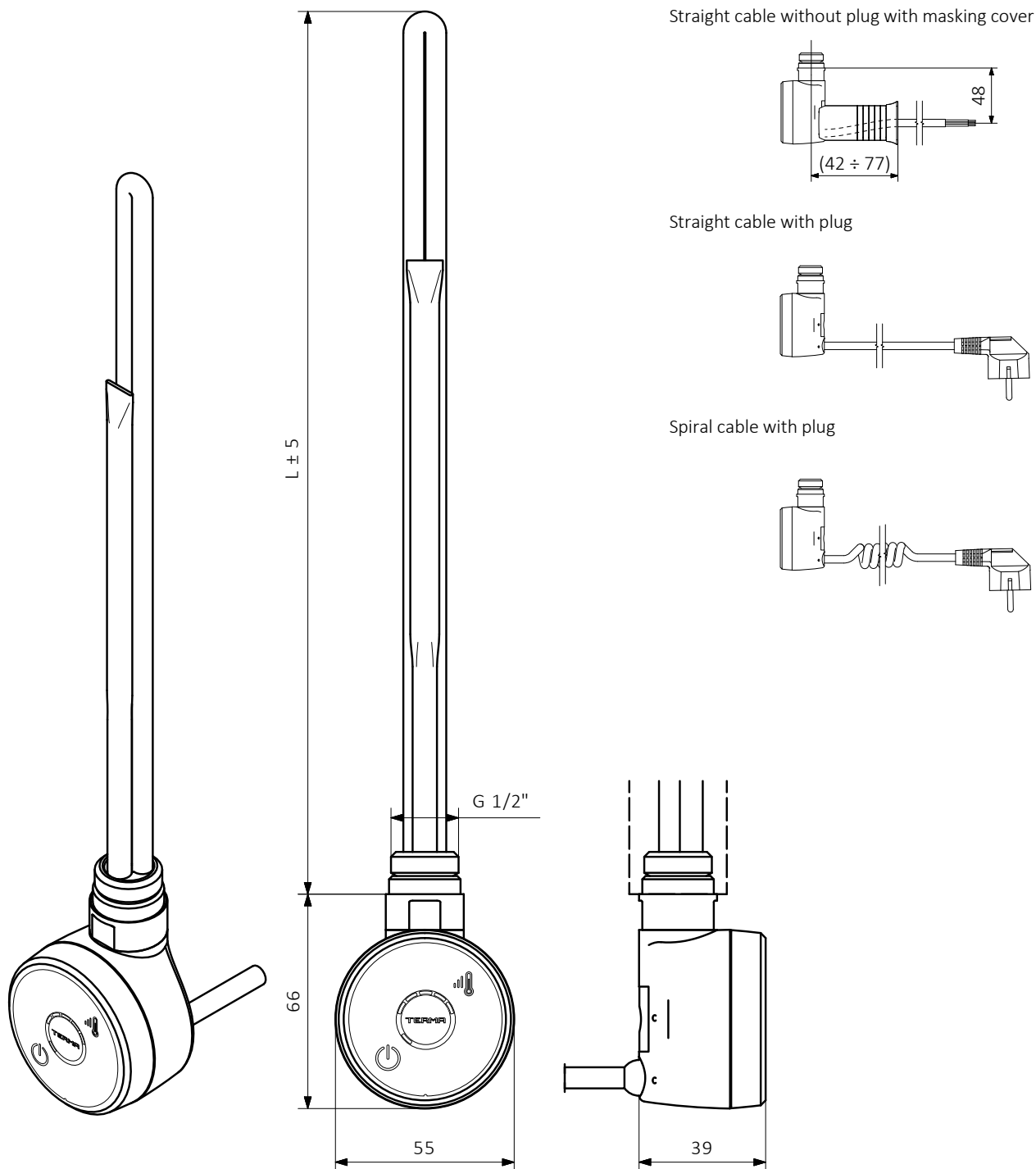
Table configurations:

Example of product code: **WE**TDY**04** **T**SMA**W**

Element power code Colour or finish code Cable type and plug code
Model code Packaging code

Code elements highlighted in blue.

Model	Power [W]	Packaging	Colour	Cable Type
WE TDY	01 120	F Foil sleeve	916 White	W Straight cable with plug
TYT TDY + T piece	02 200	T Tube	SMA Silver	M Straight cable without plug with masking cover
	03 300		CRO Chrome	U Spiral cable with plug
	04 400		905 Black	
	06 600			
	08 800			
	10 1000			
	12 1200			



L [mm]	315	275	300	335	365	475	565	660
Power [W]	120	200	300	400	600	800	1000	1200