

PAX passad[®]

NEW

"now the best bathroom fan on the market is even better"



quieter simpler
safer environment-friendly
cleverer energy-efficient

www.pax.se



PAX passad®

Experience and clever technology

We have developed the new PAX passad range to make it easy for you to find a fan which will satisfy the extraction requirements of your home. We have incorporated all our knowhow, more than 50 years' experience and the very latest control technology. The PAX passad fulfils all the advanced requirements and functions that installers and users need in a modern quality fan.

Trouble-free use

The design of the new PAX passad makes it very easy to install and use. Ample space within the frame makes the installer's job easier and the fan can be cleaned without the need for tools. The clever built-in control functions of the fans give you trouble-free ventilation and help your house to "breathe" when it needs it most. The result is an indoor environment which makes you and the house feel good!

Secure - Safe Environment-friendly

When you choose a fan from the PAX passad range you are making an active contribution to a better environment. The fans are made from selected materials with an extremely low environmental impact. Naturally, PAX passad fans are fully recyclable. PAX passad fans are recommended by "Sunda Hus", among others. So that you can feel safe, every PAX product undergoes very thorough quality and safety tests. The fans of the PAX passad range are no exception. To back up our quality philosophy we give a five-year warranty on the PAX passad.



Rated by
"Sunda Hus"

The heritage from the PAX 200 range

As one might expect, the forerunner of the PAX passad is the popular PAX 200 range, which has been a market leader for nearly ten years. We have developed and improved the inspired basic features of the PAX 200 range and added new, clever functions. The result is that the PAX passad range is:

- more optimised in terms of models (more and cleverer functions but fewer models).
- even quieter (17-21 dB(A) (low-high at 3m).
- highly efficient (95 m³ free air flow).
- easier to use.
- easier to install.
- friendlier to the environment.
- low-energy (only 4W).
- safer.

We have simply made:

*"the best bathroom fan
on the market even better"*

PAX

PAX passad® multi - no controls at all!

PAX passad multi can handle the exhaust air tasks of EVERY conceivable home environment. The fan is given basic settings when it is installed. From then on, it works completely automatically and trouble-free without the need for control knob settings. The fan can operate in three fixed speed modes. If you choose to install the fan to run continuously at low speed, it provides constant, beneficial basic ventilation which has a positive effect on the entire indoor climate. If there is movement in the room or if the light level changes rapidly, the fan switches automatically to medium speed, clearing any unwanted odour quickly and quietly. When the fan senses an increase in humidity, for example if someone takes a shower, the automatic function switches the fan to maximum speed until the humidity in the room is restored to normal. If the fan has not operated for 24 hours, an airing function is activated to ensure ventilation. For this, the fan runs for 30-minute periods every six hours. The PAX passad multi has a built-in multi-pole switch and is suitable for ceiling or wall mounting. If the fan is only going to be used for occasional operation via an outside wall duct, a backdraught shutter (a genuine PAX passad accessory) can easily be fitted. The PAX passad multi can also be purchased in a package together with a wall duct, exterior wall grating and backdraught shutter.



PAX passad® 60 - basic ventilation flow and humidity control

The PAX passad 60 is the ideal fan where there is not enough natural draught ventilation in your home to ensure sufficient air exchange. It is designed to run continuously in order to provide a constant flow of basic ventilation. It is easy to set a suitable basic flow level using the built-in stepless speed regulator of the fan. In addition, the PAX passad 60 has a control function which automatically forces the fan to maximum speed when the humidity goes above a set value. The fan can also be parallel-connected/installed for manual (switch-controlled) switching between basic flow and maximum speed. The PAX passad 60 is suitable for installation in ducts with or without natural draught ventilation (see Figures A and B).

PAX passad® 30/31 - with humidity control and presence sensor

Perfect for the bathroom in houses with natural draught ventilation, or in houses where the mechanical exhaust air system needs upgrading. The PAX passad 30 is designed to be fitted to a duct with natural draught ventilation (see Figure A). The PAX passad 31, with backdraught shutter, is intended to be installed in a separate duct which has no natural draught ventilation (see Figure B). The fan is started by a presence sensor (IR/light) when there is movement or a rapid change of light level in the room, or when the humidity goes above normal.

PAX passad® 00 - basic version

The basic model of the range, for wall or ceiling mounting, is an excellent ventilation solution in areas where there is insufficient natural draught ventilation. The PAX passad 00 can be combined with various externally fitted control devices such as: The PAX Humidity and Timer Control 990 when the area to be ventilated requires externally fitted automatic humidity control. An external timeswitch for clock-controlled air exchange, a PAX Thermostat, for heat removal. If the fan is to be used with an outer wall duct (see Figure B), the PAX passad backdraught shutter (a genuine PAX accessory) must be fitted.

Models

Extremely silent running, high efficiency, environment-friendly materials and negligible power consumption are among the outstanding features of all fans in the PAX passad range. Needless to say, the PAX passad range is approved from installation in wet rooms (area 1). The table below shows the specific operating and installation functions of each model.



With natural draught



Without natural draught




Model	Installation Ø 100 mm	Automatic functions					
		💧	📶	💡	🕒	📊	🔄
PAX passad® multi	A + B	X	X	X	X	X	-
PAX passad® 60	A + B	X	-	-	X	-	X
PAX passad® 30	A	X	X	X	X	-	-
PAX passad® 31	B	X	X	X	X	-	-
PAX passad® 00	A	-	-	-	-	-	-

💧 = RH% 📶 = IR 💡 = Light 🕒 = Timer 📊 = Speed 1, 2, 3 🔄 = RPM

Detailed info about natural draught ventilation, back draught shutters and other terms can be found under FAQ/Tips at www.pax.se

PAX

PAX passad® - Technical data

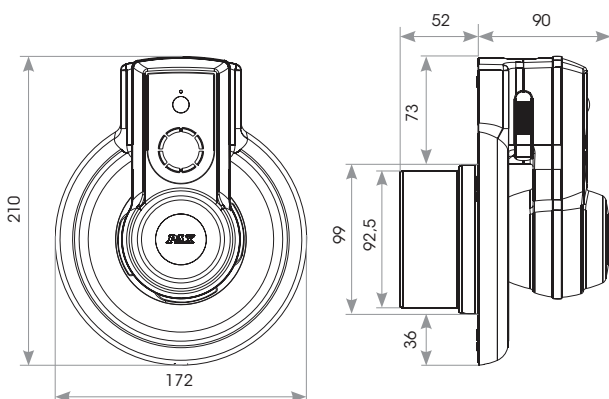
Technical data	PAX passad®
Capacity free blow	95 m³/h
Max pressure	21Pa
Sound pressure level – at min speed	17 dB(A) 3 m
Sound pressure level – at max speed	21 dB(A) 3 m
Power consumption	4 W
Voltage	230 ±10% 50 Hz VAC
Degree of protection	IP44 (area 1)
Degree of isolation	Double-insulated  (class II) Do not ground
Certificate	
Other approvals	
Temperature range - 00	0 - 35°C
Temperature range - 30/31/60/multi	5 - 35°C
Automatic timer function 30/31/60/multi	15 min
Stepless switch-on or forcing for humidity level	from 40 RH%
IR range/IR sensor angle 30/31/multi	4,5 m / 75°
Min/max duct-Ø - without cover plate	Ø100-Ø140 mm
Min/max duct-Ø - with cover plate	Ø100-Ø160 mm
Materials, % by weight	Plastics 61% of the product, of which: PP 48%, ABS POM 6,8% , ABS 2,9%, other 3,3% Metals 39% of the product, of which: Steel 30%, Copper 6%, other 3%
Installation	Qualified electrician

PAX passad® - Ordering info

Fan model	Art.no.	EAN
PAX passad® 00	1850-1	739 14 77185011
PAX passad® 30	1855-1	739 14 77185516
PAX passad® 31	1860-1	739 14 77186018
PAX passad® 60	1865-1	739 14 77186513
PAX passad® multi	1870-1	739 14 77187015
PAX passad® multi paket	1875-1	739 14 77187510

Accessories	Art.no.	EAN
PAX Backdraught shutter *	8125-1	739 14 77812511
PAX Taper	8126-1	739 14 77812610
PAX Multi-pole switch **	8104-3	739 14 77810432
PAX Cover plate ***	8143-4	739 14 77814348
PAX Assembly frame ***	8145-1	739 14 77814515
Wall duct 100, L=150mm x 2	8157-1	739 14 77815710
Windbreaker hood copper	8158-3	739 14 77815833
stainless	8158-4	739 14 77815840
grey ***	8158-1	739 14 77815819
Exterior wall grating white ***	8156-1	739 14 77815611
black ***	8156-2	739 14 77815628
red ***	8156-3	739 14 77815635

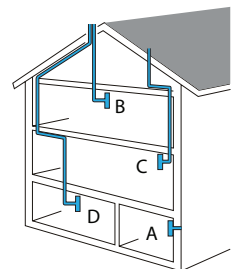
* Supplied in the PAX passad multi-pack. ** Incl. in the PAX passad multi fan.
*** Can be painted.



PAX passad® - Use/capacity

Result from practical tests, all cases with ducts Ø 100 mm.

Placement	Flow, approx l/s	Flow, approx m³/h	Flow with different duct lengths and Nos of bends
A	26	95	Wall penetration with exterior wall grating
B	22	80	3 m duct with 1 bend
C	19	70	9 m duct with 3 bends
D	17	60	11 m duct with 5 bends



PAX passad® backdraught shutter - accessory



If the fan is only going to be used for occasional operation via an outside wall duct, a backdraught shutter (a genuine PAX passad accessory) can easily be fitted.

- Available as an accessory for PAX passad 00, 30 and multi.
- Supplied in the PAX passad multi-pack.
- Fitted to PAX passad 31 on delivery.

Reseller:

PAX

PAX Electro Products AB, Box 72, SE-640 30 Hälleforsnäs, Sweden
tel. +46 157 756 00 • info@pax.se • www.pax.se

